



IDIS Co., Ltd.

For more information, please visit at

www.idisglobal.com



Ethernet over Coax Transceiver

Operation Manual

DA-EC3101R

DA-EC3101T

Powered by **Direct IP™**

Before Using the Product

FCC Compliance Statement

This device complies with part 15 of the FCC Rules.

Operation is subject to the following two conditions:

- (1) This device may not cause harmful interference, and
- (2) This device must accept any interference received, including interference that may cause undesired operation.

Note: This equipment has been tested and found to comply with the limits for a Class A digital device, pursuant to part 15 of the FCC Rules. These limits are designed to provide reasonable protection against harmful interference when the equipment is operated in a commercial environment.

This equipment generates, uses and can radiate radio frequency energy and, if not installed and used in accordance with the instructions, may cause harmful interference to radio communications. Operation of this equipment in a residential area is likely to cause harmful interference in which case the user will be required to correct the interference at his own expense.

User's Caution Statement

Caution: Any changes or modifications to the equipment not expressly approved by the party responsible for compliance could void your authority to operate the equipment.

Product Overview

DA-EC3101R / DA-EC3101T is a networking device(EOC: Ethernet Over Coax) that uses coaxial cables. It makes it possible to supply Power over Ethernet and transmit data between a network camera that uses RJ45 port and a NVR using coaxial cables.

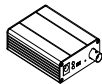


- Keep away from high temperature, low temperature or high humidity. Do not expose the product to water or moisture, nor try to operate it in wet areas. It may cause a malfunction and injury.
- Do not expose the product to water (dripping or splashing) and do not place objects filled with liquids, such as vases on the product. It may cause an electric shock, fire or malfunction, etc.
- If liquid is spilled, or objects have fallen into the equipment, unplug the power cord and contact the service center. It may cause a malfunction and injury.
- Do not attempt to open the cover, disassemble, repair or alter the product yourself. The high-voltage circuitry in the product poses an electric shock, fire or malfunction, etc.
- Do not bend the power cable excessively or place heavy objects on top of it. It may cause a fire hazard.
- Avoid dangerous situations such as placing the product or its power cable on a humid/wet floor, using an unground extension cord, using a damaged (exposed) power cable, and failing to properly ground the product. Contact the retailer or a specialist if you encounter a problem. It may cause a fire and electric shock hazards.

Product Features

- Makes it possible to install Full-HD network cameras using existing coaxial cables
- 10/100Base-T two-way communication
- Supports PoE
- Supports Plug & Play without setting up special IP addresses
- Supports up to 500 meters in the distance

Accessories



Main unit
(DA-EC3101R /
DA-EC3101T)



Brackets (with
screw)



Manual



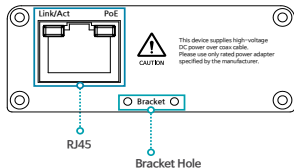
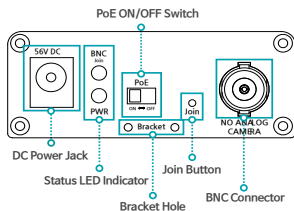
56V DC adapter &
AC power cable (DA-EC3101R
only)



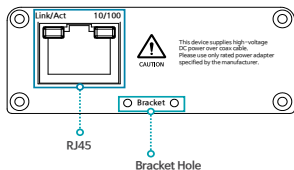
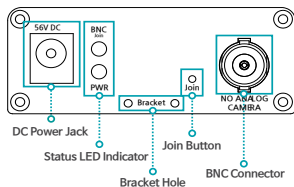
Connect the DC adapter to the product and then apply AC power to the adapter. Once the AC power is applied to the adapter first, it may cause an electric spark. Be careful when using the product at a gas station or near combustible substances.

Overview

DA-EC3101T



DA-EC3101R



LED Light Information

LED	Color	Function
BNC (Join)	Green	LED lights up when the device is connected via a BNC connector.
PWR	Blue	LED lights up when 56V DC power is supplied.
PoE	Yellow	LED lights up when PoE power is being supplied.
Link / Act	Green	LED blinks when the data is transmitted.
10/100	Yellow	LED lights up when connected with 100M Base-T. Otherwise, the LED will be off.

Installation

- 1 Connect BNC connectors of coaxial cable to each DA-EC3101R/3101T.
- 2 Connect the provided 56V DC power to DA-EC3101R.



Connect the DC power to the product first and then to AC outlet. Otherwise, it may cause an electric spark.

- 3 When they are connected, the PWR LED are on.



Since the join information is set to the factory default, the network connection will be made without join setting.

<Unjoin: A Method of Deleting Join Information>

- 4 Press the Join button on DA-EC3101R for 12 to 13 seconds with a clip or tweezers until PWR LED turns off. When PWR LED turns on again, the Join information will be deleted. (Do the same for DA-EC3101T)



Both products are not connected. To reconnect, the Join settings must be configured.

<Join>

- 5 Press the Join button on DA-EC3101R for 2 to 3 seconds. Then press the Join button on DA-EC3101T for 2 to 3 seconds.



After pressing the Join button on the DA-EC3101R, you must set the Join by pressing the Join button.

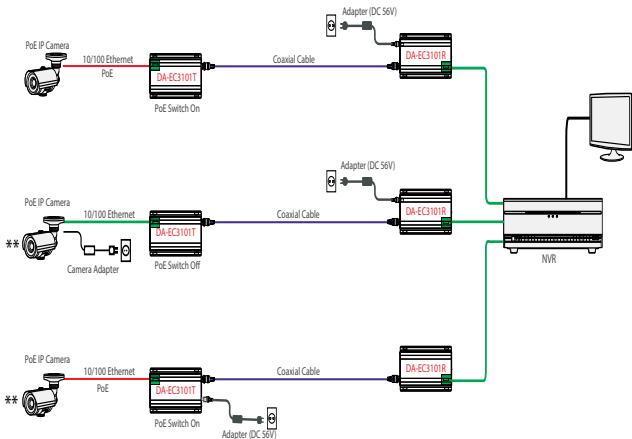
- 6 When the Join setup is completed, both Join LEDs will turn on. The network connection will be made between the both products.
- 7 Connect the UTP(LAN) cable to the device you want to connect to.
- 8 Refer to the installation layout to install the product.



Configure the Join in advance before installing on site.

- 9 To cancel the Join setting, refer to step 4 to delete the Join information.

Installation Layout



**** Connect the adapter to the DA-EC3101T or supply the power to the camera directly if you need a PoE supply more than 15W.**

Specifications

Class	Subclass	Specification	
Model		DA-EC3101R	DA-EC3101T
Coaxial-line Interface	Standards	Ethernet over Coax(EoC) Application with raw data rates up to 95Mbps	
	Connector	75Ω BNC(female)	
Ethernet Interface	PHY Connection	10/100BASE-T with Auto-detect Auto MDIX	
	Connector	RJ45	
LED Indicators	Ethernet	1 - Link/Act (Green)	
		1 - 100M (Yellow)	1 - PoE (Yellow)
	EoC	1 - BNC (Green)	
	Power	1 - PWR(Blue)	
Encryption		128-bit AES	
IGMP Protocol		IGMP V1, 2, 3	
PoE Maximum Power		-	Up to 30W
External Power Adapter		AC 100 ~ 240V (50Hz / 60Hz), DC 56V / 1.17A	
Certification		FCC, CE, KC	
Weight		110g	
Dimensions (W x H x D)		61.6mm x 94.5mm x 24mm	
Operating Temperature		0 ~ 50 °C	
Humidity		0% ~ 90%	
Storage Temperature		- 30 ~ 70 °C	
PoE Distance	5C-HFBT	Up to 500m	
	5C-2V		
	3C-2V		